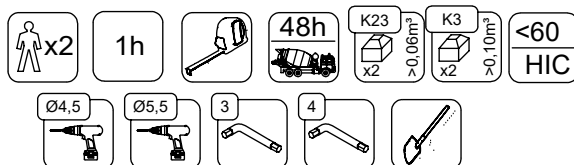
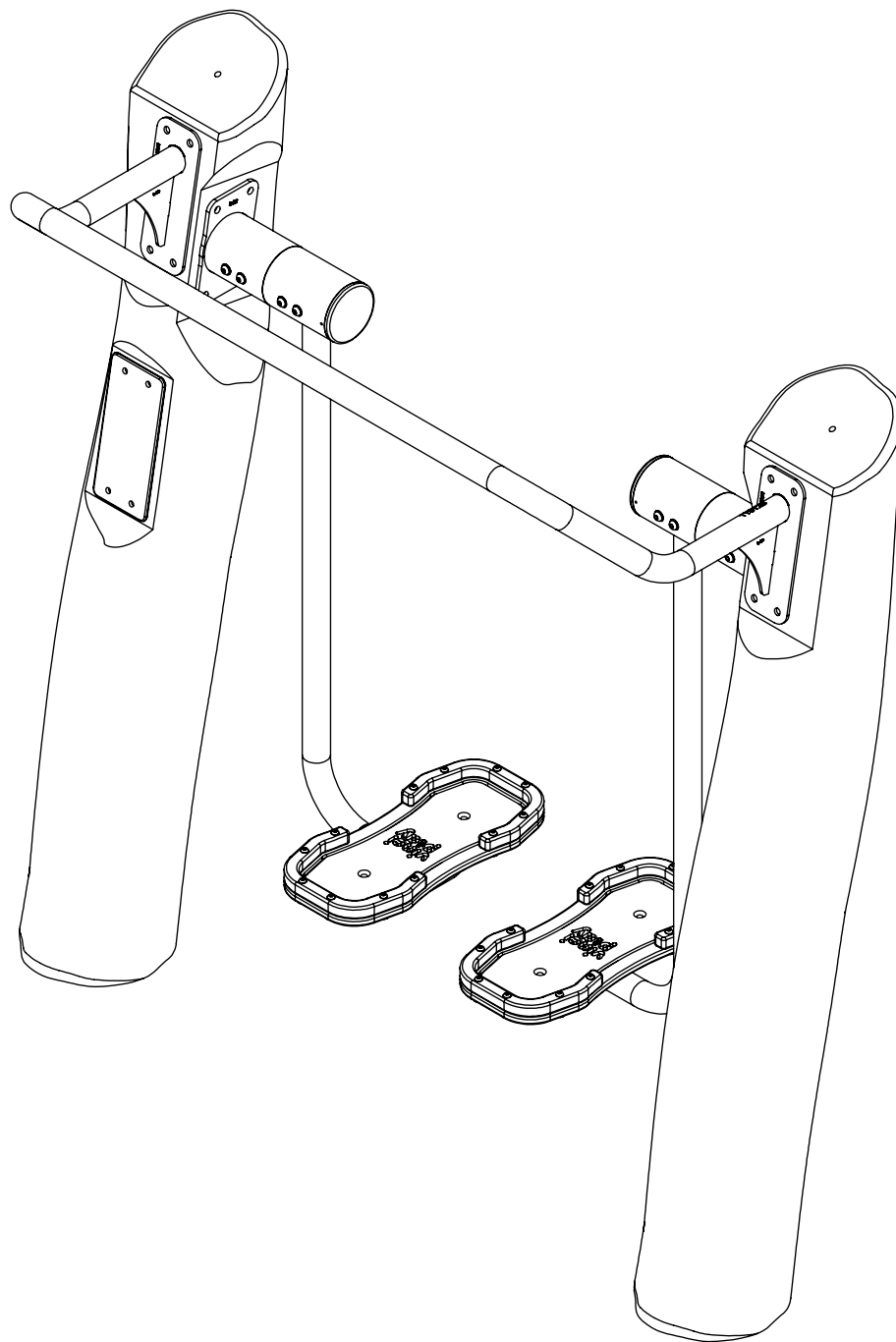
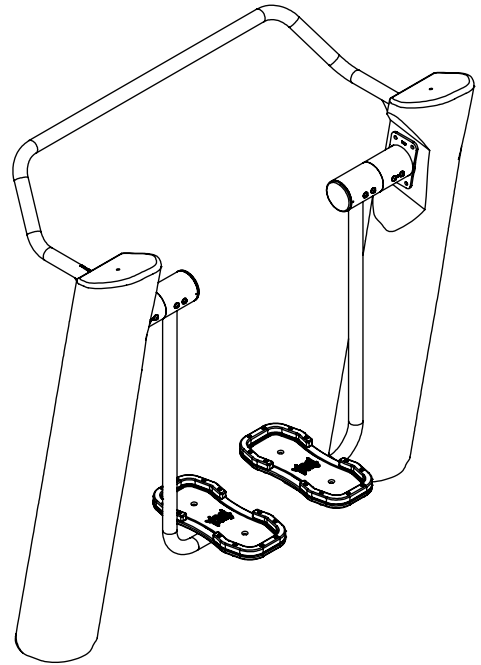
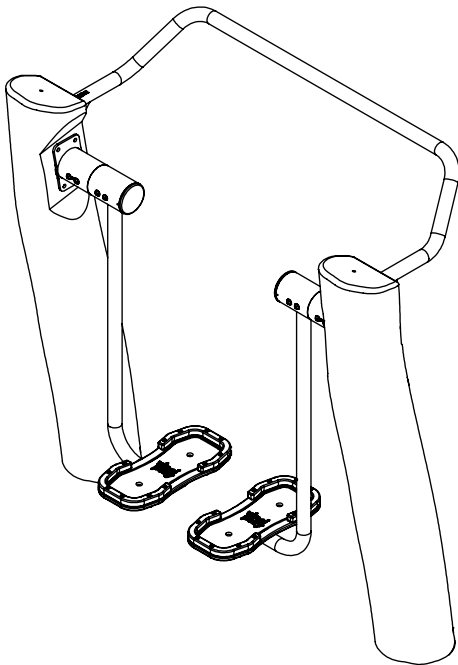
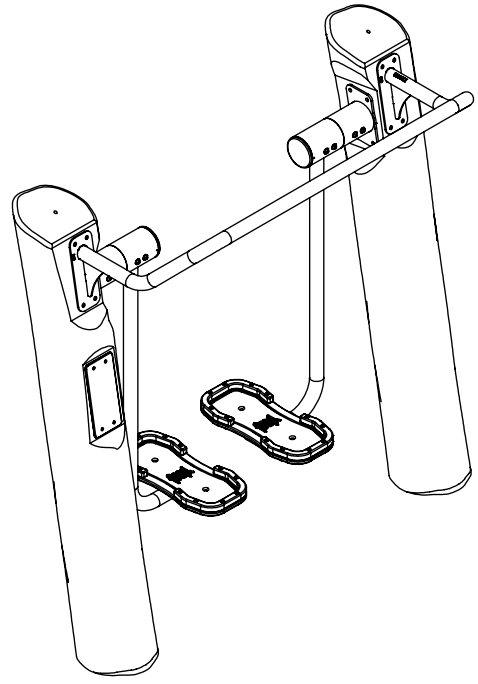
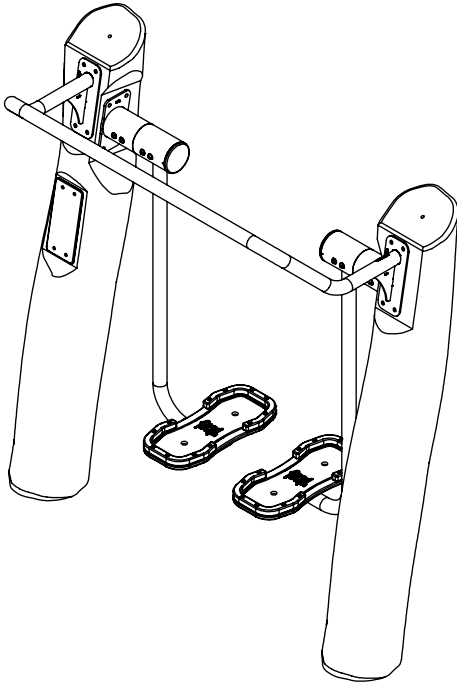


# RB1106



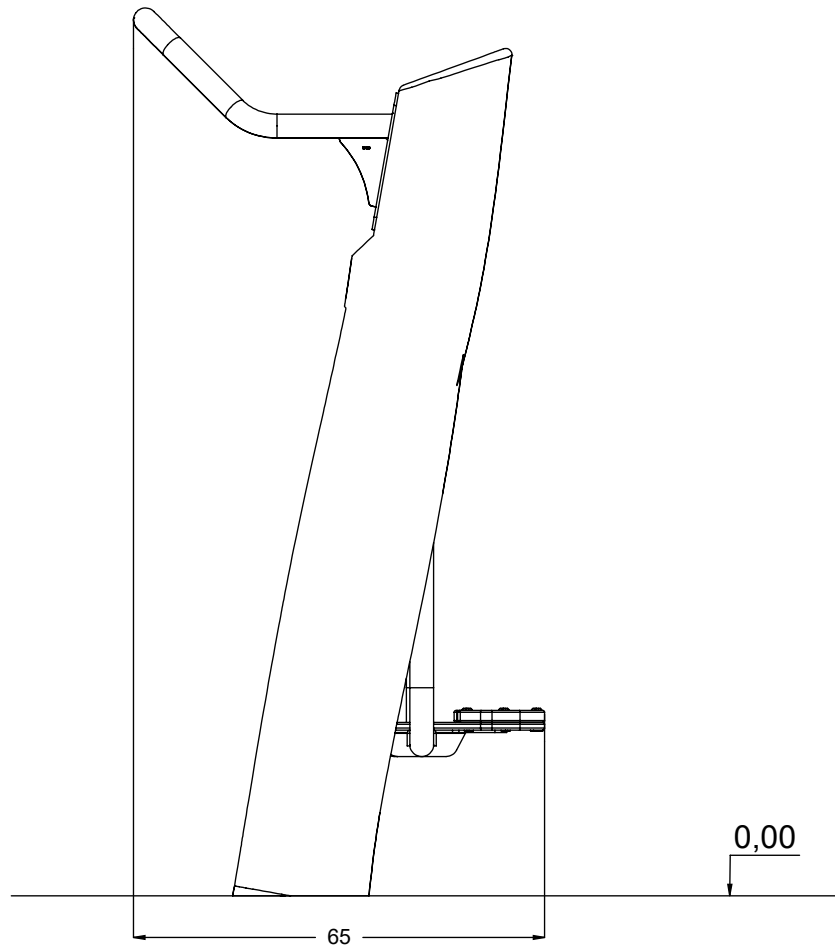
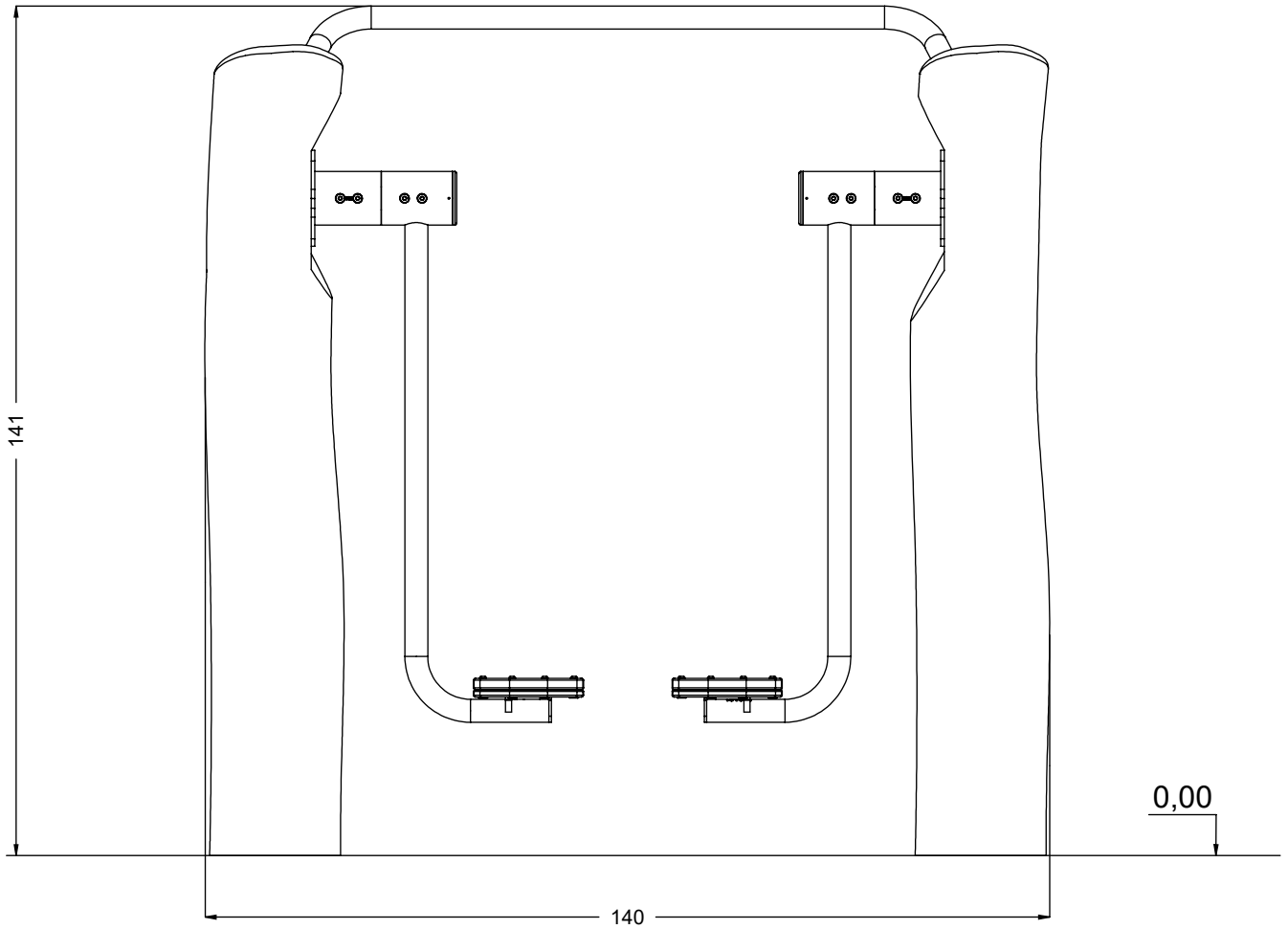
v011  
05.10.2022  
D. P.  
[cm]

vinci  
play



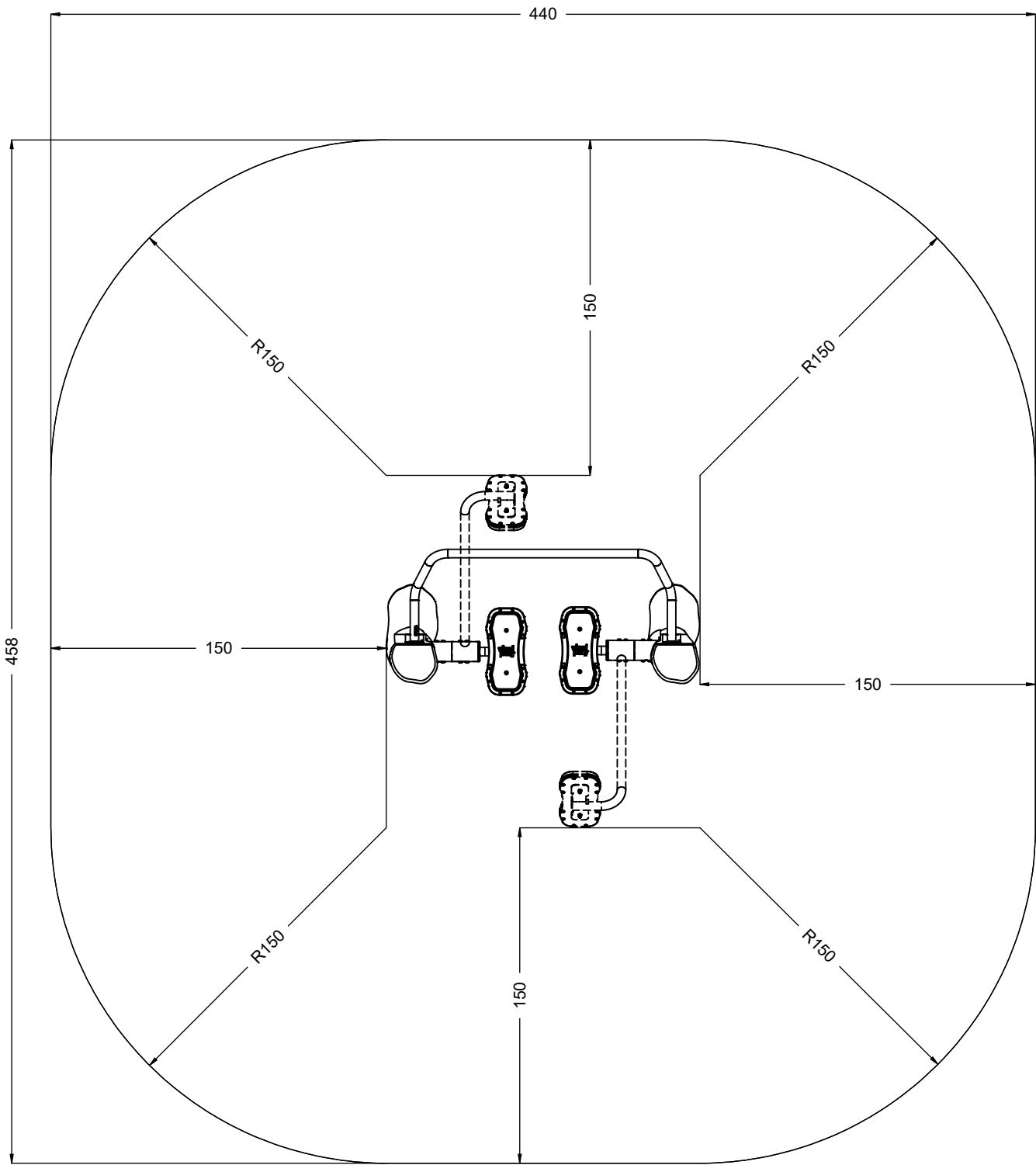
[cm]

vinci  
play



[cm]

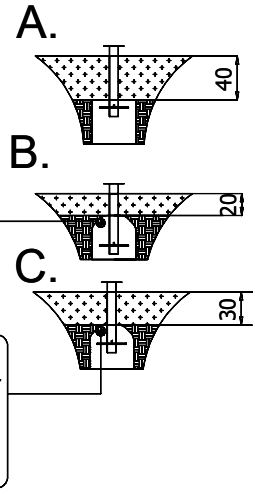
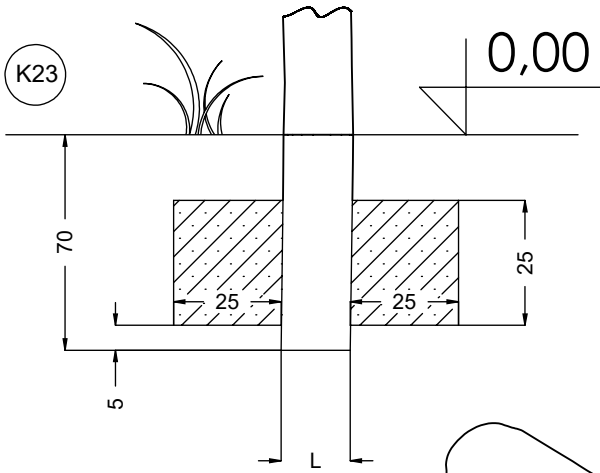
vinci  
play



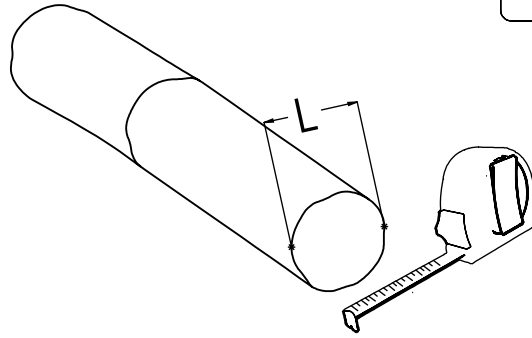
[cm]



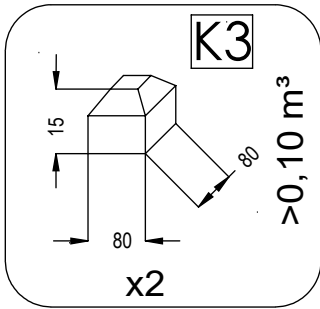
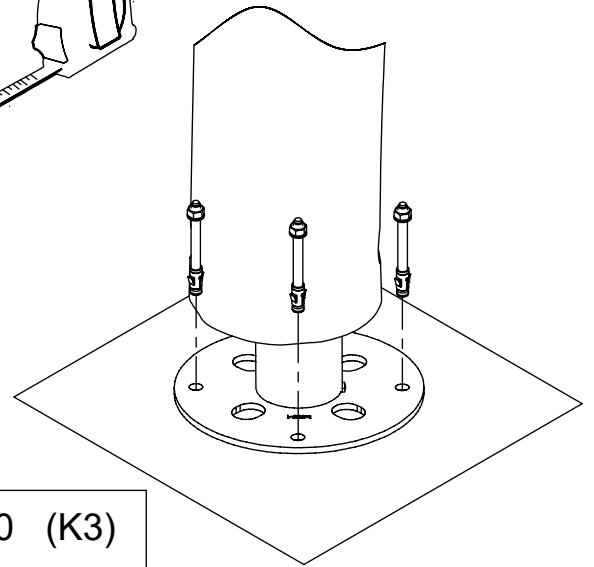
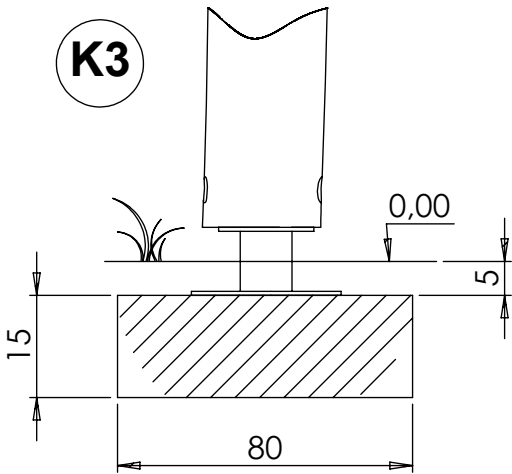
vinci  
play



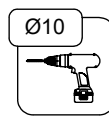
L = 20-22



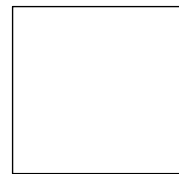
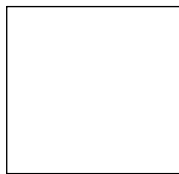
K3



8x M10x120 (K3)



NOT INCLUDED



117

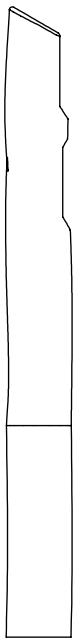
[cm]



1h



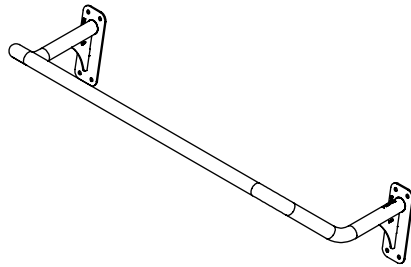
vinci play



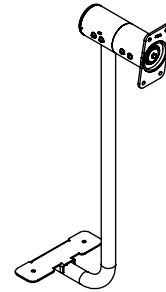
127572  
x1



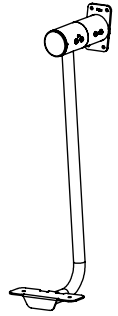
127571  
x1



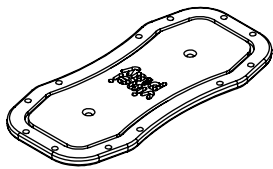
112184  
x1



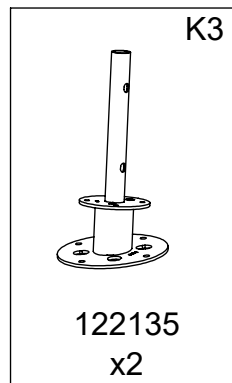
114107  
x1



114105  
x1

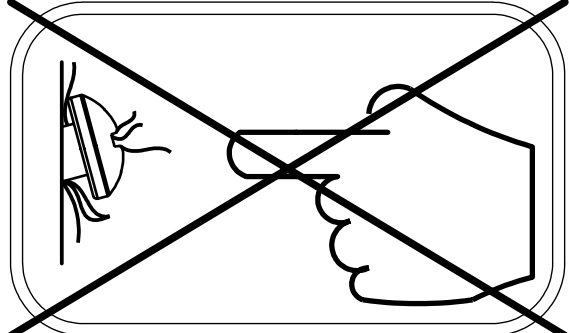
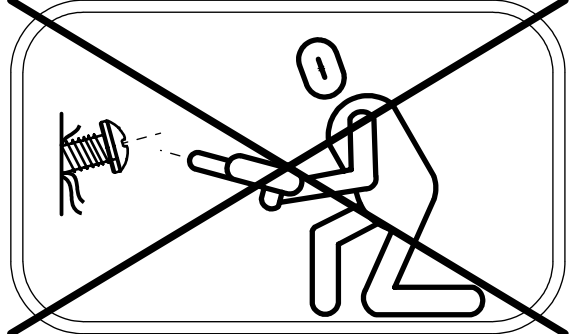
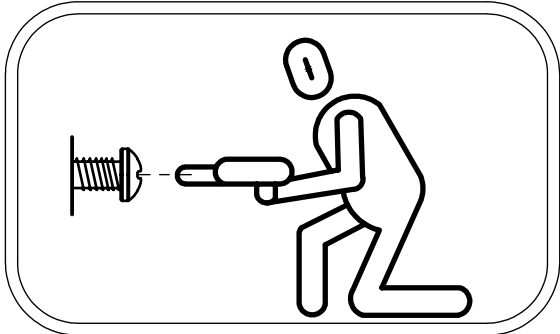


111113  
x2

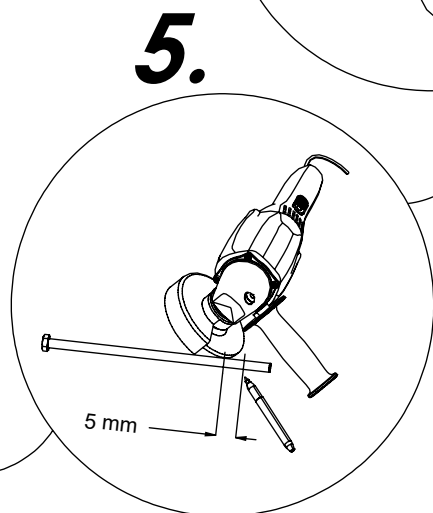
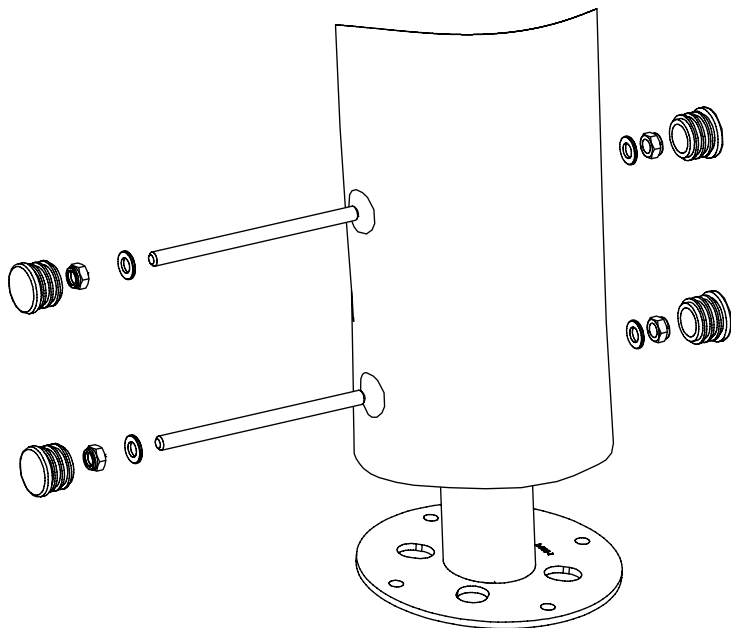
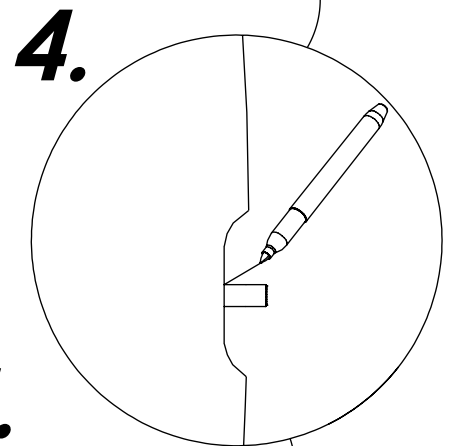
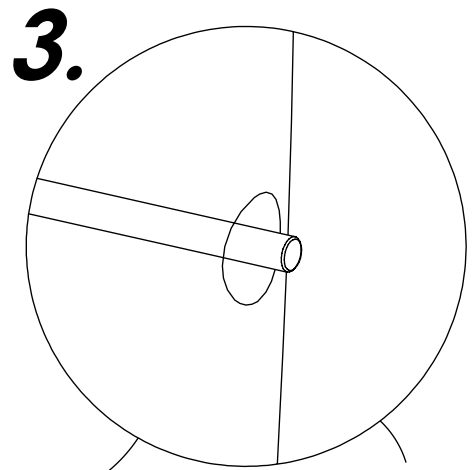
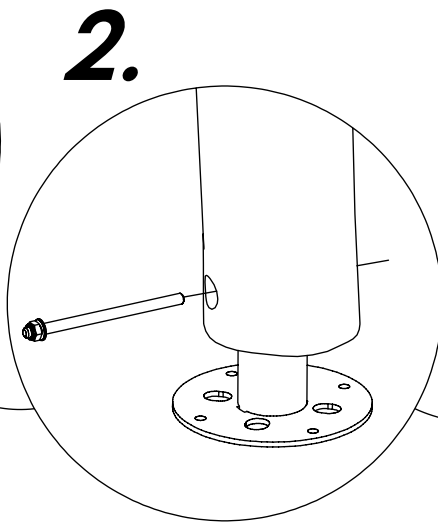
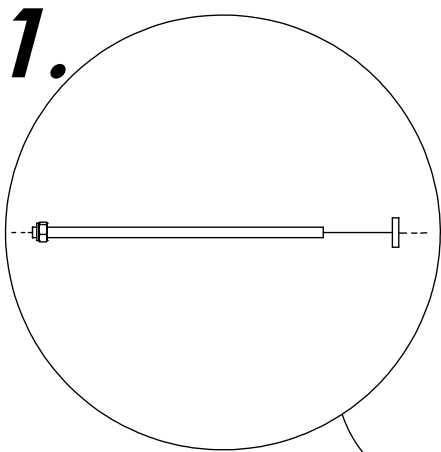
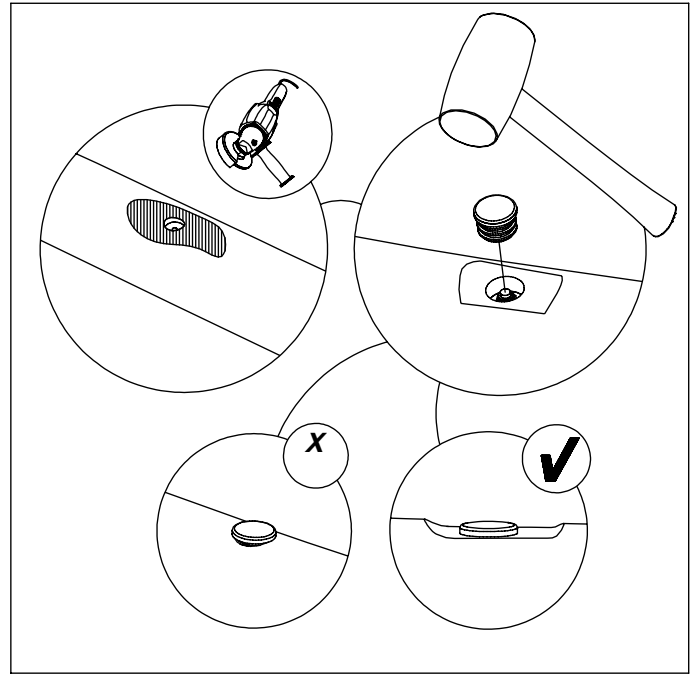
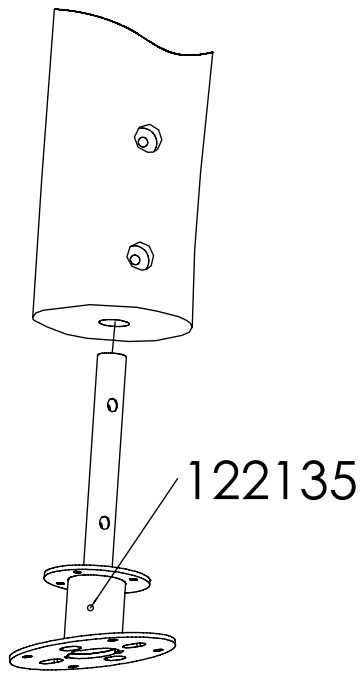


122135  
x2

16x	8x50sxi
4x	7x35sxi
8x	8x120sxt (K3)
2x	11e011
1x	11e009
4x	12e109 (K3)
1x	126206
4x	8pp



# K3



4x 12e109

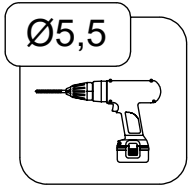
[cm]

vinci  
play

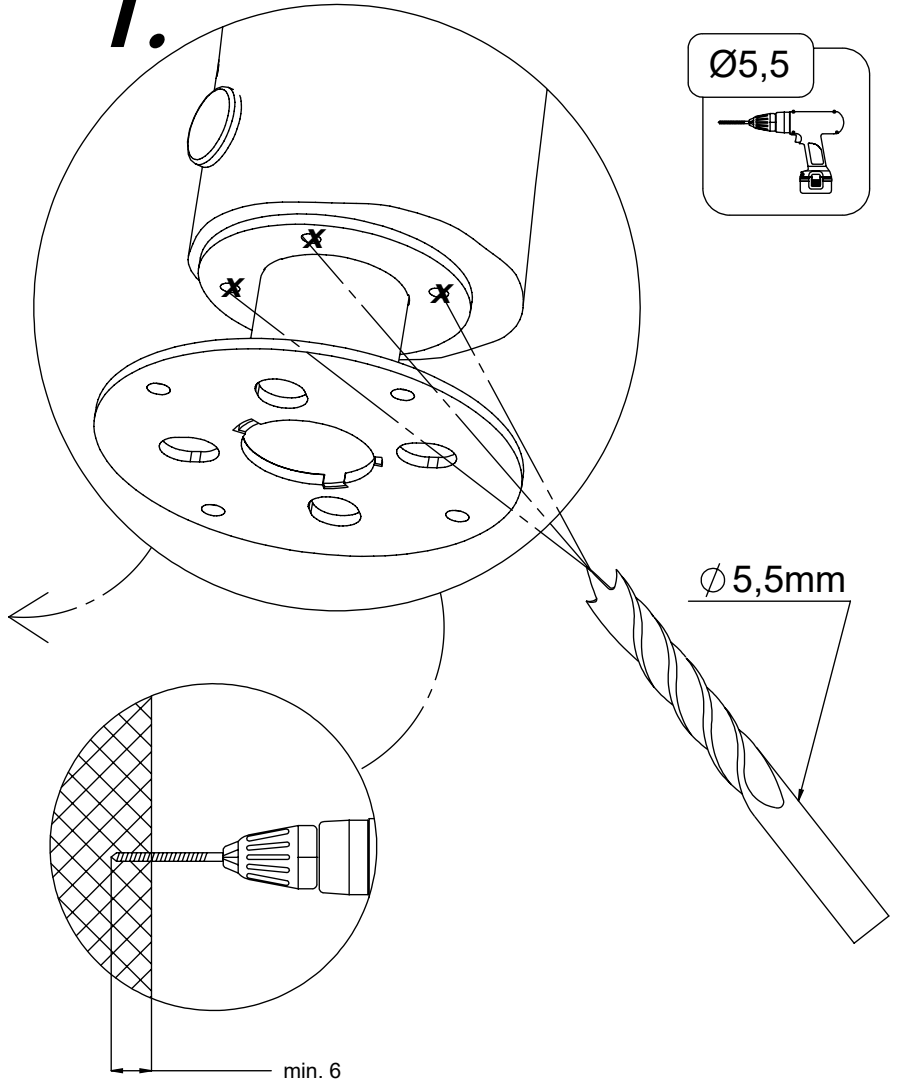
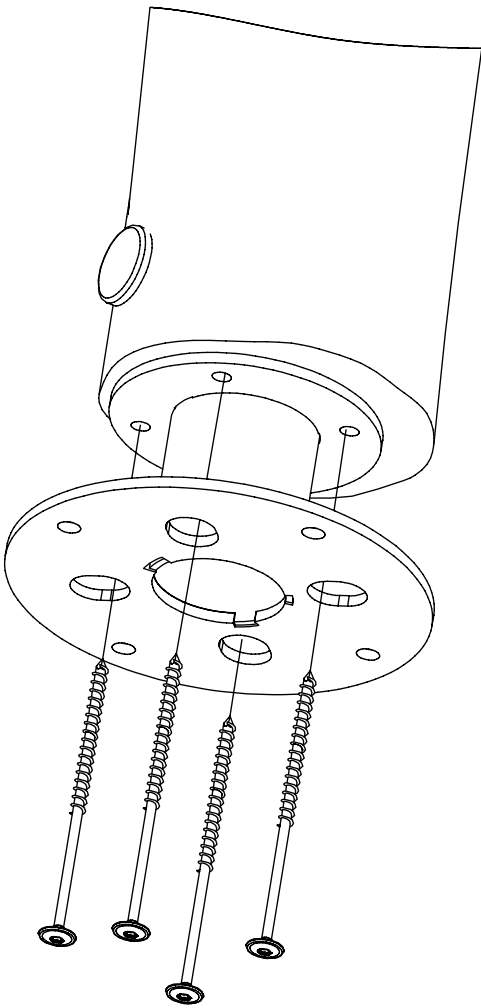


# K3

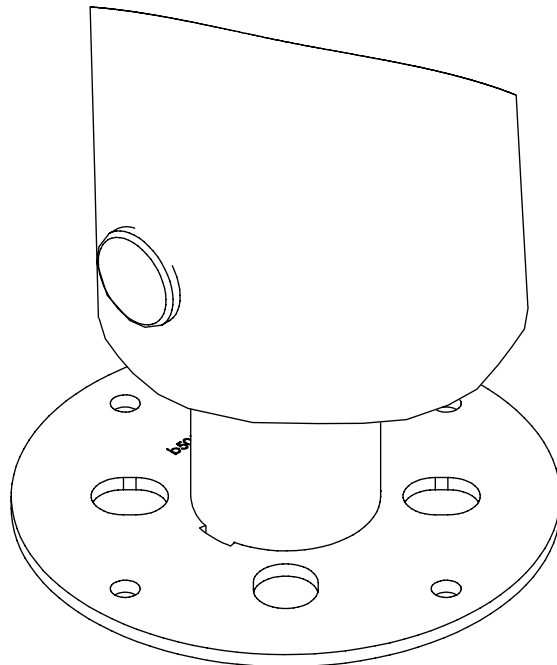
1.



Ø5,5mm



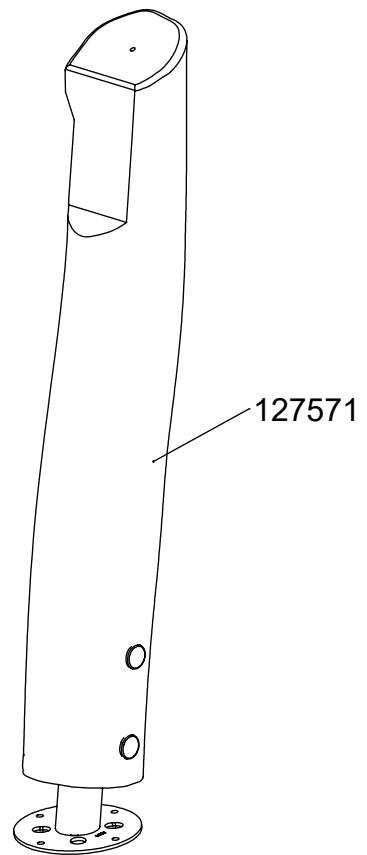
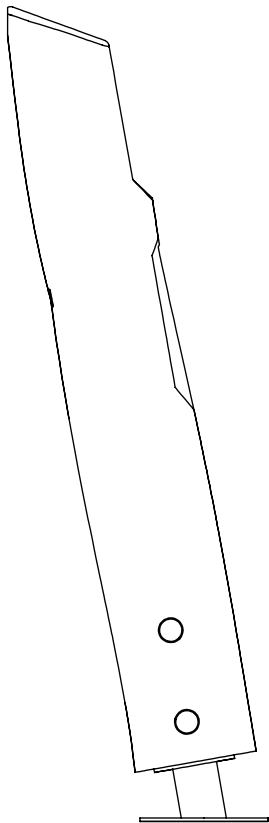
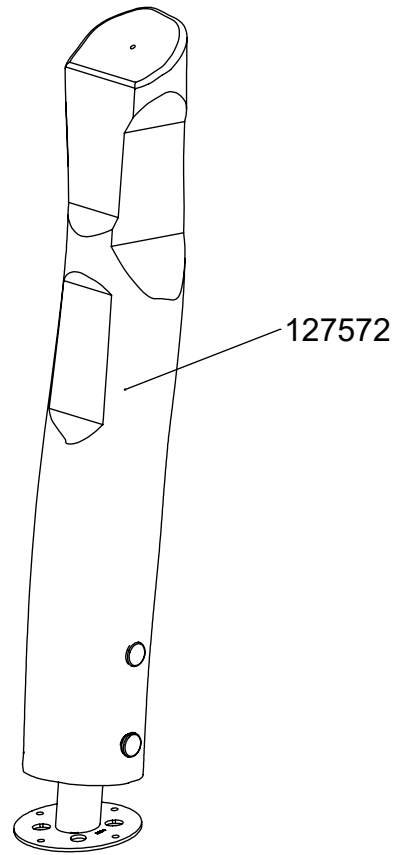
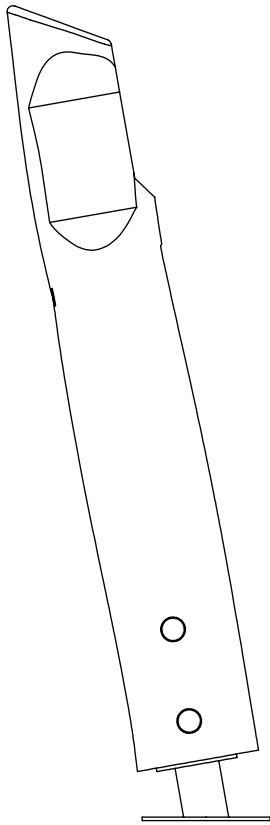
8x 8x120sxt



[cm]

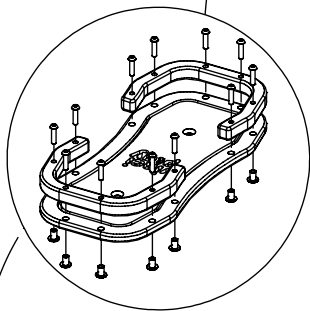
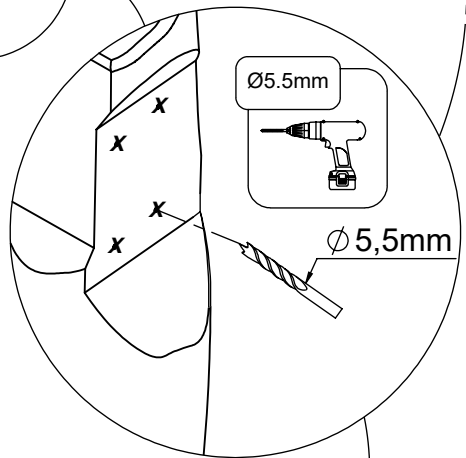
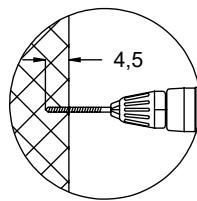
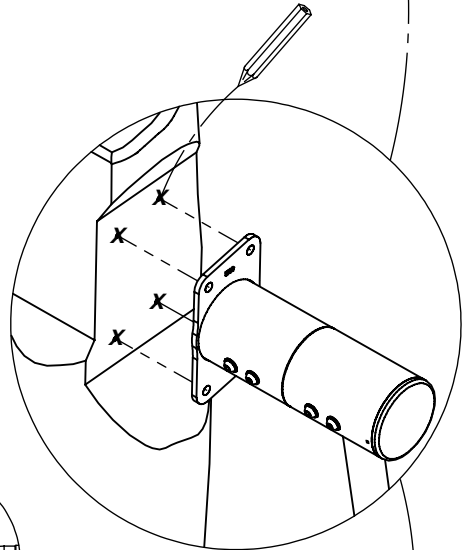
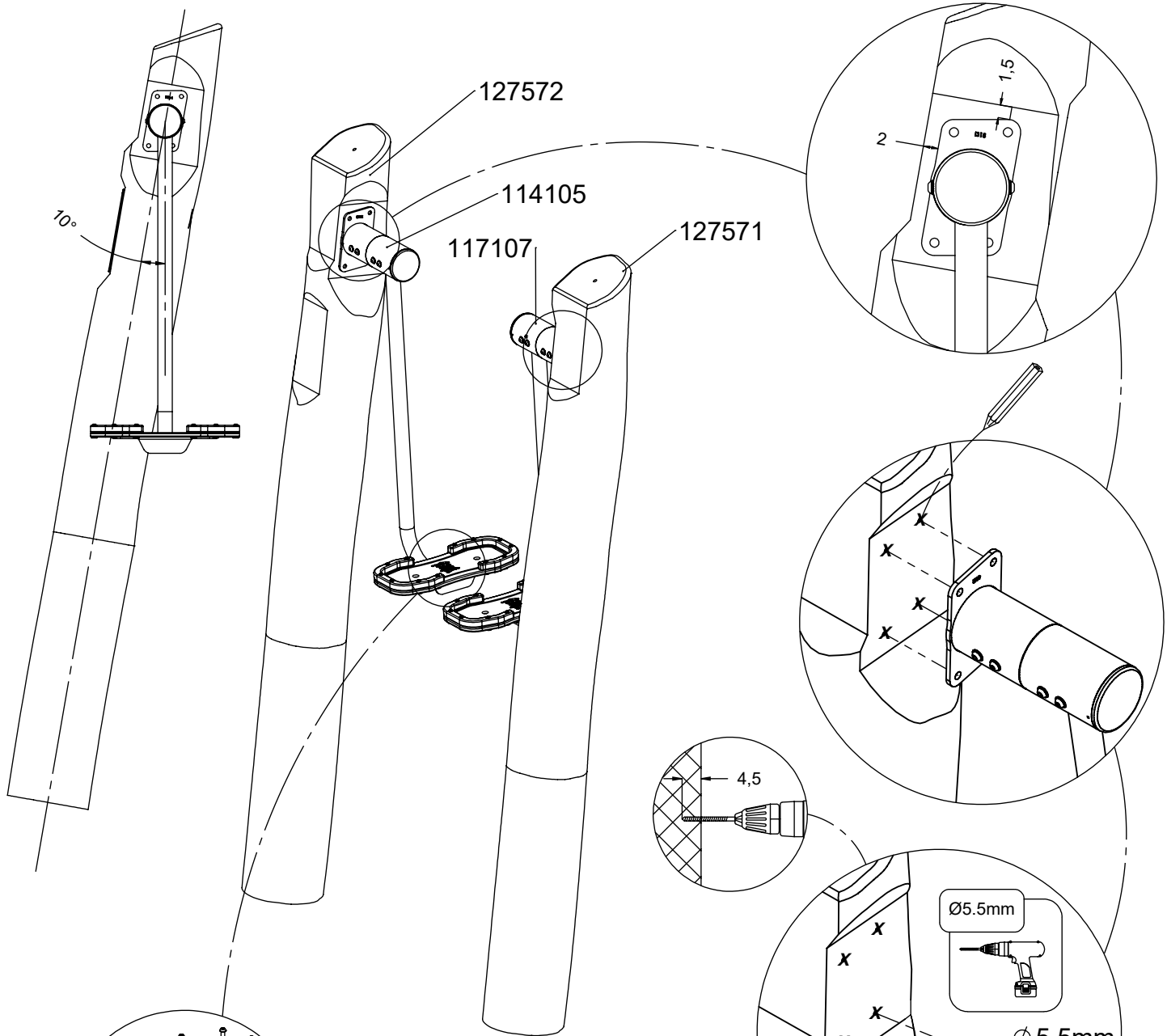
vinci  
play

# K3

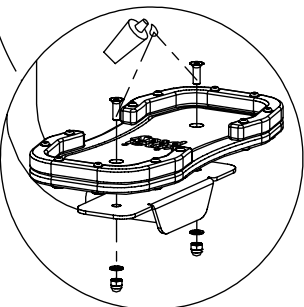


[cm]

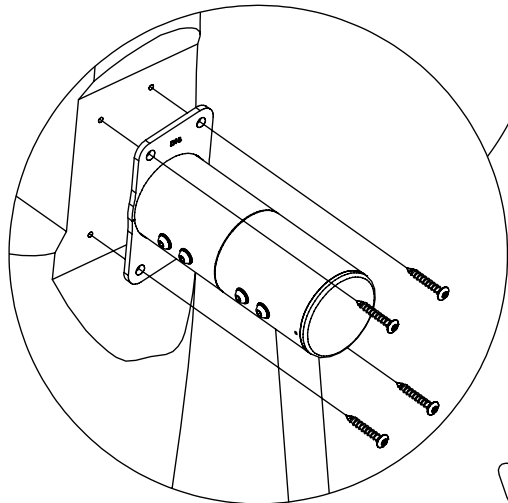
vinci  
play



2x 11e011



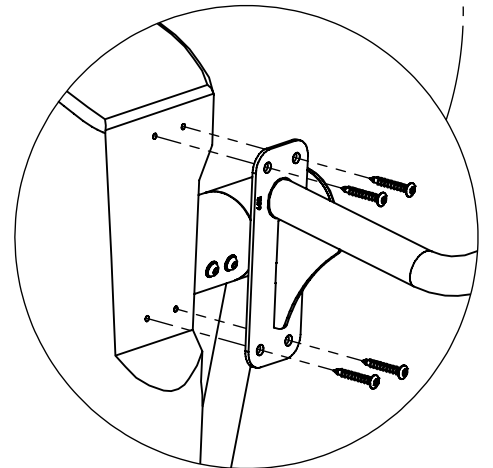
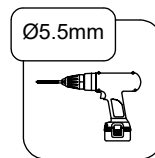
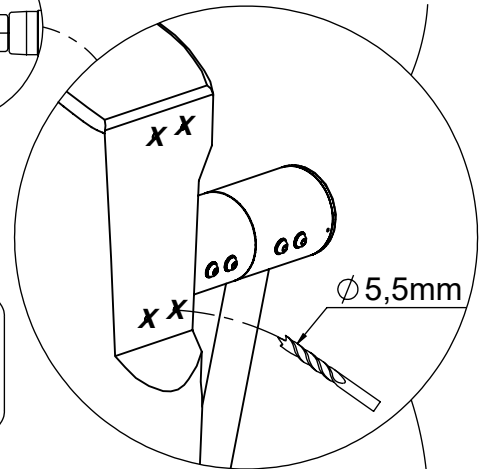
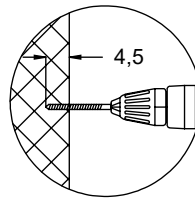
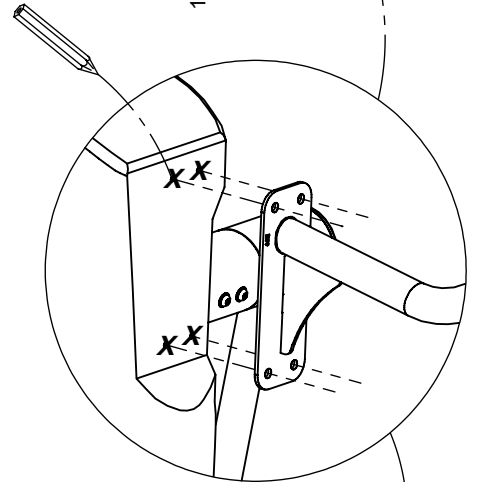
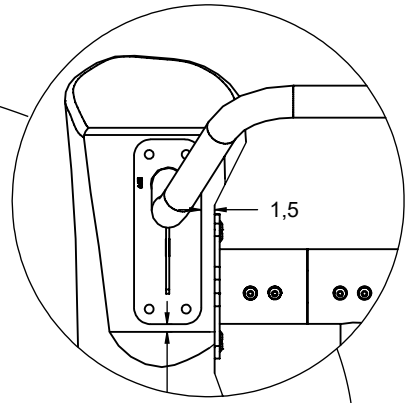
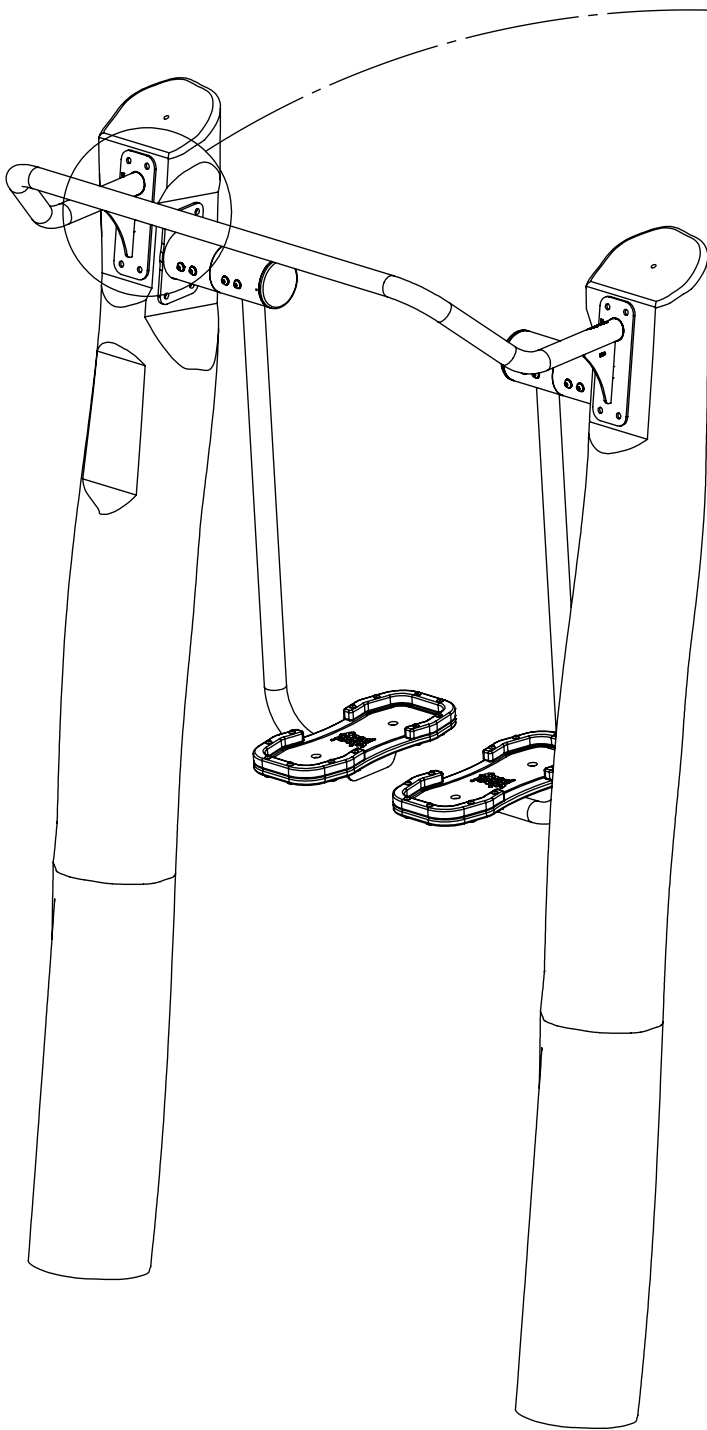
1x 11e009



8x 8x8x50sxi

[cm]

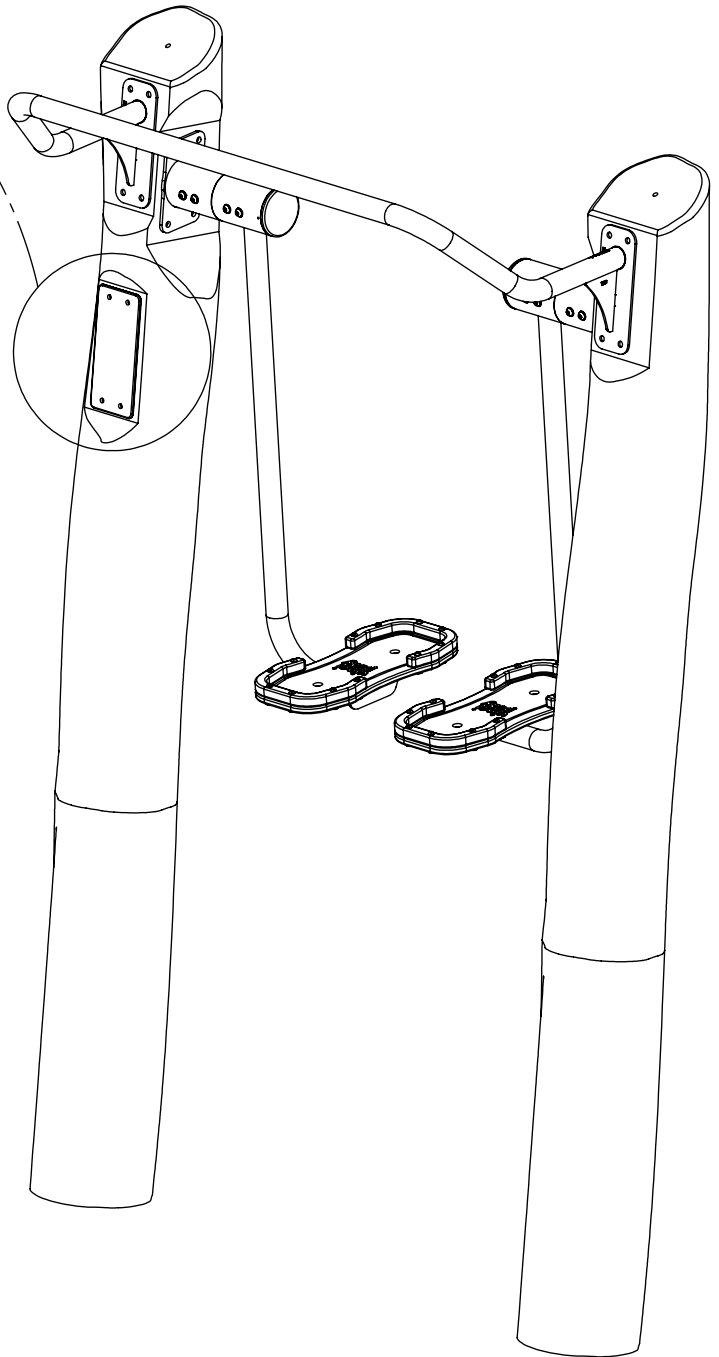
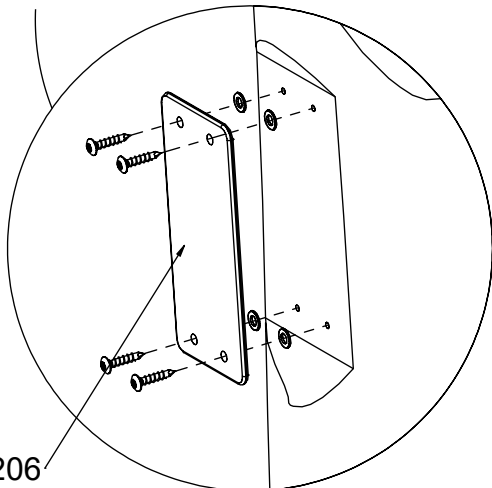
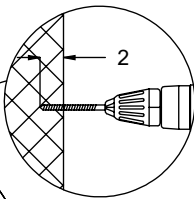
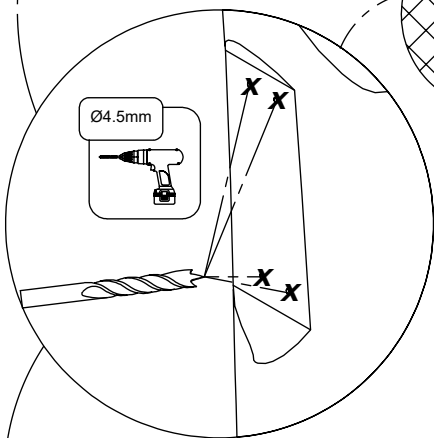
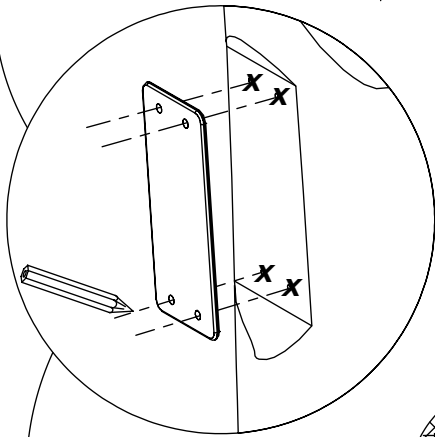
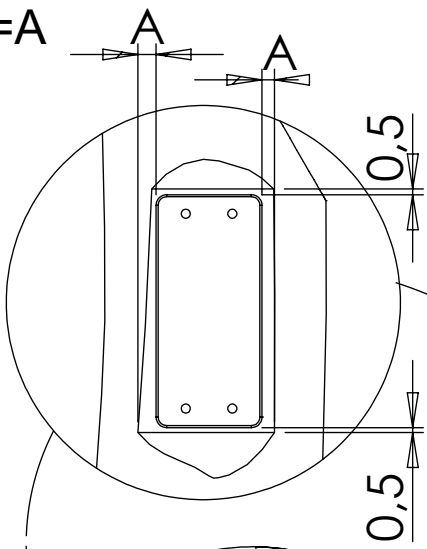
vinci  
play



8x 8x50sxi

vinci  
play

A=A

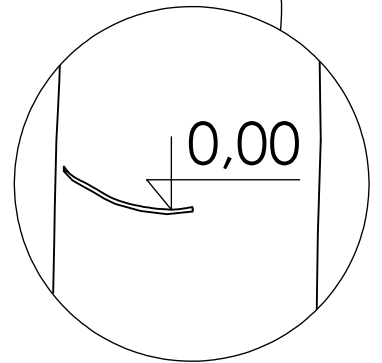
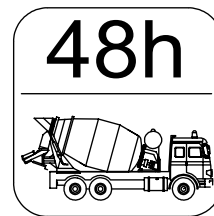
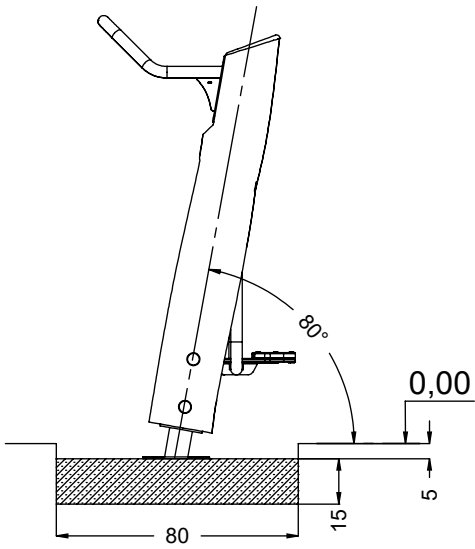
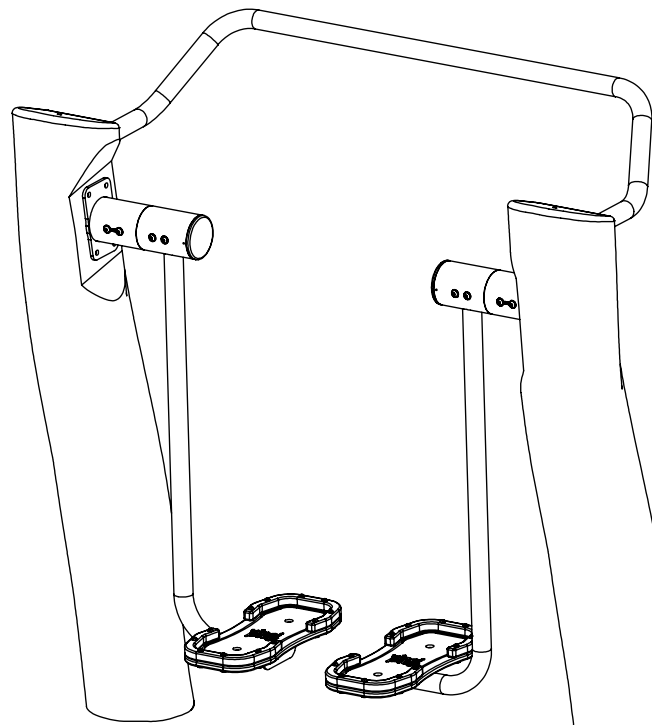
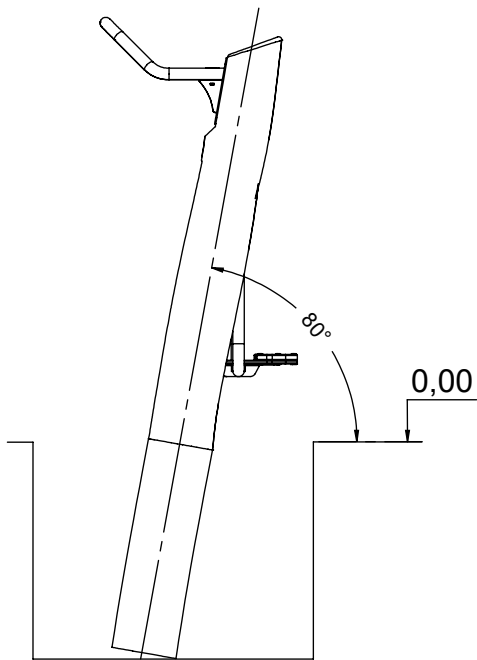


126206


- 4x 7x35sxi
- 4x 8pp

[cm]

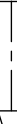
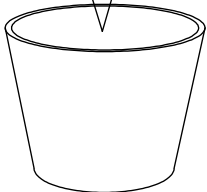
vinci  
play



**Part No:**  
**000000-**  
**00000**



000000-00000

[cm]

vinci  
play